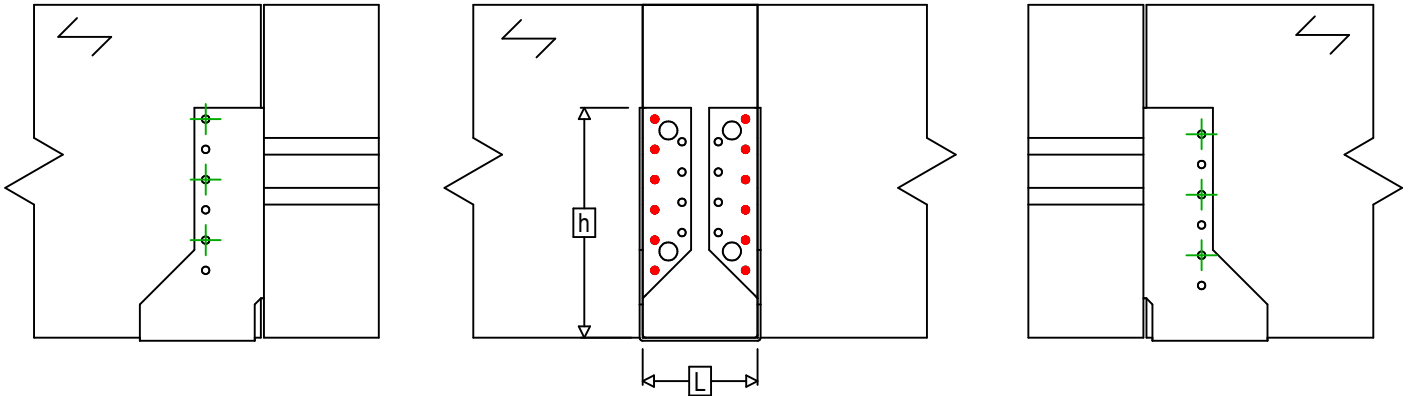
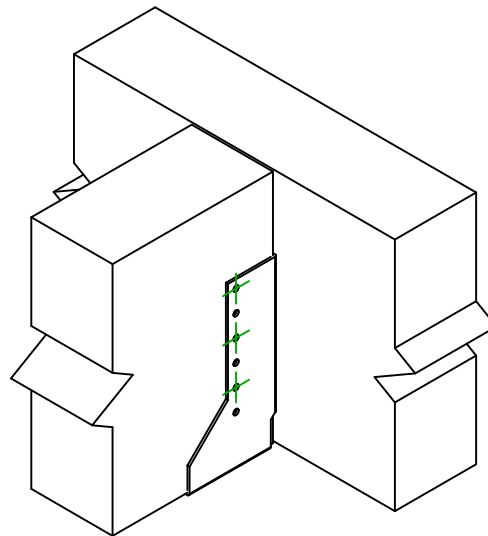




<b>Item</b>	<b>=</b>	SAIX380	
<b>Fasteners</b>	<b>=</b>	Timber to timber	Joist to beam
<b>Type of fastening</b>	<b>=</b>	Partial nailing	



$$h = (380 - L) / 2$$



	Symbol	Fasteners	Fasteners		Qty
<b>Header Fastener(s)</b>		CNAS	CNA4.0X35S / CNA4.0X50S		12
		CSAS	CSA5.0X35S / CSA5.0X40S		
		-	-		
<b>Joist Fastener(s)</b>	Symbol	Fasteners	L < 64mm	L > 64mm	Qty
		CNAS	CNA4.0X35S	CNA4.0X50S	6
		CSAS	CSA5.0X35S	CSA5.0X40S	